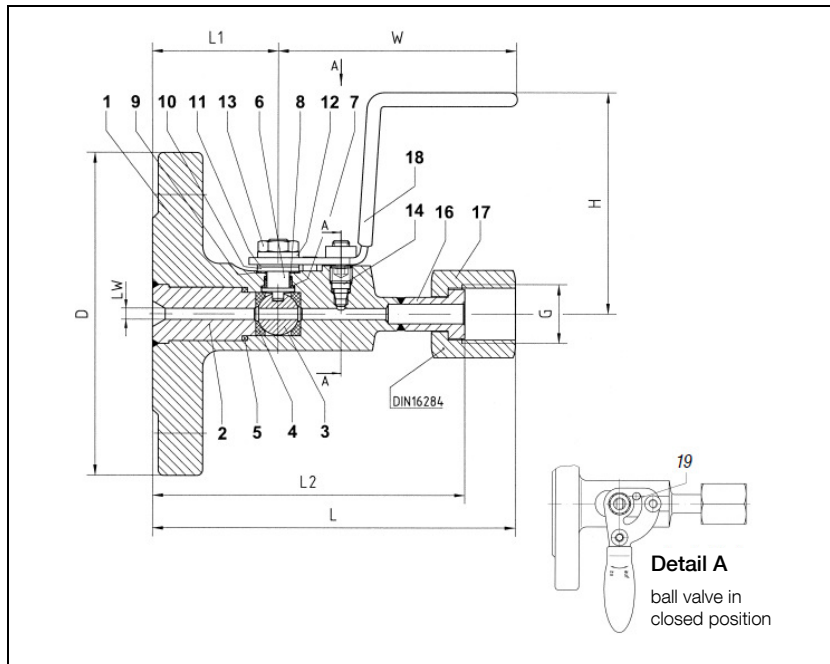


# BALL VALVES INTEC

K620/4-2, DN15 - DN100, PN16/40  
with vent bore and expansion tube  
resp. test connection port G 1/8"



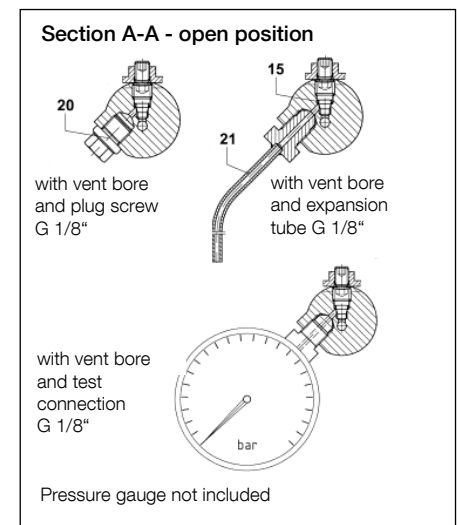
Pressure gauge ball valve with flange connection acc. to EN 1092 collar cap with cap nut G 1/2" acc. to DIN 16284 expansion tube resp. test connection port G 1/8" face to face dimensions acc. to producers standard

### Specification:

Pressure gauge ball valve with flange connection acc. to EN 1092, collar cap with cap nut G 1/2" acc. to DIN 16284, fully welded body material stainless steel (1.4571/1.4404), antistatic device, free of non ferrous metals, maintenance free shaft sealing with friction washer and cone ring, with vent bore, expansion tube resp. test connection port G 1/8", the design of the lever prevent aeration in opened position (patented!), vent screw O-ring sealed, certified acc. to GERMAN clean air act VDI 2440, lever be able to lock in opened and closed position.

No.	Part	Material code
1	body	1.4408/1.4571/1.4404
2	cap	1.4571/1.4404
3	ball	1.4571/1.4404
4	seat	KFGN
5	seal	KF
6	stem	1.4571/1.4404
7	friction washer	KFSM
8	cone ring	KF
9	antistatic element	KFA
10	washer	A2
11	plate spring	1.4310
12	serrated lock washer	A2
13	hex. nut	A2
14	vent screw	A4/1.4571/1.4404
15	o-ring	Viton
16	collar cap	1.4571/1.4404
17	cap nut	1.4571/1.4404
18	safety lever	1.4301/plasticised PVC
19	stopper	1.4571/1.4404
20	plug screw	1.4571/1.4404
21	expansion tube G 1/8"/tube Ø 4x1x120	1.4571/1.4404

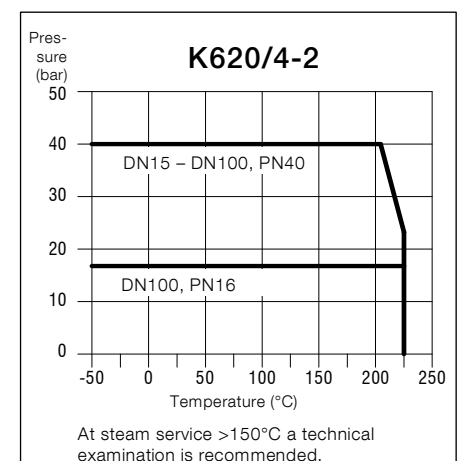
Marking: INTEC  
Type: K620/4-2



### Dimensions

DN mm	LW	PN	G	dimensions (mm)					
				L	L1	L2	H	W	D
15	4	40	1/2"	130	45	112	79	86	95
20	4	40	1/2"	130	45	112	79	86	105
25	4	40	1/2"	130	45	112	79	86	115
32	4	40	1/2"	130	45	112	79	86	140
40	4	40	1/2"	130	45	112	79	86	150
50	4	40	1/2"	130	45	112	79	86	165
65	4	40	1/2"	130	45	112	79	86	185
80	4	40	1/2"	130	45	112	79	86	200
100	4	16	1/2"	130	45	112	79	86	220
100	4	40	1/2"	130	45	112	79	86	235

Other pressure classes on request



### Ordering example:

INTEC K620/4-2, DN25, PN40, 1.4571  
with test connection G 1/8"