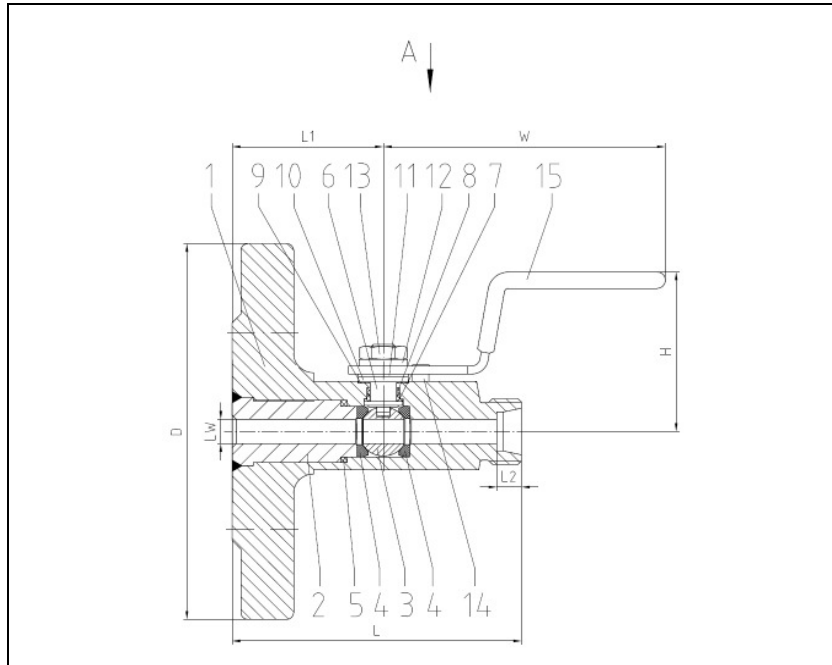


# BALL VALVES INTEC

K640/2, DN15 - DN100, PN16/40  
without vent bore



Pressure gauge ball valve with flange connection acc. to EN 1092 pipe screwing light/heavy series acc. to DIN 2353 10-S and 12-S face to face dimensions acc. to producers standard

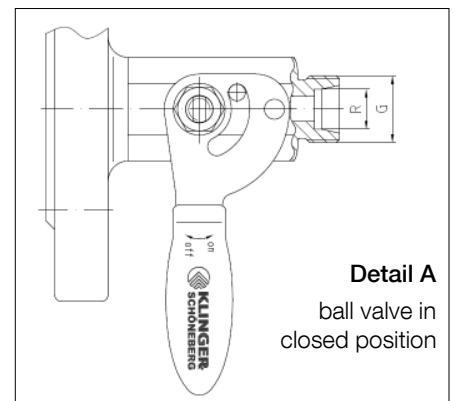
### Specification:

Pressure gauge ball valve with flange connection acc. to EN 1092, pipe screwing light/heavy series acc. to DIN 2353 10-S and 12-S, fully welded body material stainless steel (1.4571/1.4404), antistatic device, free of non ferrous metals, maintenance free shaft sealing with friction washer and cone ring, without vent bore, certified acc. to GERMAN clean air act VDI 2440, with lever.

Marking: INTEC

Type: K640/2

No.	Part	Material
1	body	1.4408/1.4571/1.4404
2	cap	1.4571/1.4404
3	ball	1.4571/1.4404
4	seat	KFGN
5	seal	KF
6	stem	1.4571/1.4404
7	friction washer	KFSM
8	cone ring	KF
9	antistatic element	KFA
10	washer	A2
11	plate spring	1.4310
12	serrated lock washer	A2
13	hex. nut	A2
14	stopper	1.4571/1.4404
15	lever	1.4301/plasticised-PVC

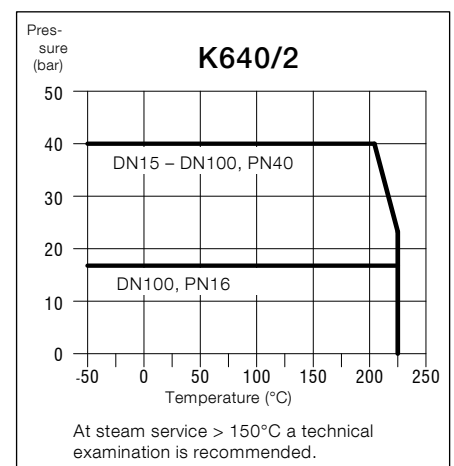


DN (mm)	R	G
any DN	10-S	M18x1.5
any DN	12-S	M20x1.5

### Dimensions

DN mm	LW	PN	dimensions (mm)					
			L	L1	L2	H	W	D
15	7.5	40	85	45	7.5	49	86	95
20	7.5	40	85	45	7.5	49	86	105
25	7.5	40	85	45	7.5	49	86	115
32	7.5	40	85	45	7.5	49	86	140
40	7.5	40	85	45	7.5	49	86	150
50	7.5	40	85	45	7.5	49	86	165
65	7.5	40	85	45	7.5	49	86	185
80	7.5	40	85	45	7.5	49	86	200
100	7.5	16	85	45	7.5	49	86	220
100	7.5	40	85	45	7.5	49	86	235

Other pressure classes on request



### Ordering example:

**INTEC K640/2, DN25, PN40, 1.4404, 10-S, M18x1,5**